

Actuators with ball valves AVC + 2 W or 3 W

Presentation



Typical application

- Switchover from a solid fuel boiler to an oil boiler.
- Switchover from a solid fuel boiler to a gas boiler.
- Switchover of the storage tank to an oil boiler.
- Switchover of the storage tank to a gas boiler.
- Switchover between a solid fuel boiler and a solar system (domestic hot water heating).
- Switchover between an oil boiler and a solar system (domestic hot water heating).
- Switchover of the heat pump and the solar system (domestic hot water heating).
- Switchover between heating and domestic hot water heating.
- Switchover of the collectors east/west.
- Switchover of the domestic hot water storage tank to the storage tank (solar system).
- Switchover of the domestic hot water storage tank to the pool (solar system).
- Switchover between two heat exchangers.
- ON/OFF zone control of heating systems.
- As a blocking element for heating systems.
- As a blocking element for domestic hot water systems.
- As a blocking element for cooling systems.
- As a blocking element in processing industry and agriculture.

Features

- Minimum resistance or flow reduction.
- Suitable for use in residential and commercial systems.
- Suitable for use in heating systems as well as in domestic hot water systems.
- An extremely easy and quick installation.
- Turning direction indicator.
- Valve position indication.
- Integrated permanent clutch for the manual mode.
- In the case of a blocked valve, the actuator is not damaged.
- Perfect sealing.

Description of settings buttons



- 1 - Manual operation clutch.
- 2 - LED display - rotating the valve to left.
- 3 - LED display - AUX switch is ON.
- 4 - LED display - rotating the valve to right.
- 5 - Handle.

Typical application	AVC RS + ball valve 2 W	AVC RS + ball valve 3 W
Switchover from a solid fuel boiler to an oil boiler	—	●
Switchover from a solid fuel boiler to a gas boiler	—	●
Switchover of the storage tank to an oil boiler	—	●
Switchover of the storage tank to a gas boiler	—	●
Switchover between a solid fuel boiler and a solar system (domestic hot water heating)	—	●
Switchover between an oil boiler and a solar system (domestic hot water heating)	—	●
Switchover of the heat pump and the solar system (domestic hot water heating)	—	●
Switchover between heating and domestic hot water heating	—	●
Switchover of the collectors east/west	—	●
Switchover of the domestic hot water storage tank to the storage tank (solar system)	—	●
Switchover of the domestic hot water storage tank to the pool (solar system)	—	●
Switchover between two heat exchangers	—	●
ON/OFF zone control of systems	●	—
As a blocking element for heating systems	●	—
As a blocking element for domestic hot water systems	●	—
As a blocking element for cooling systems	●	—
As a blocking element in processing industry and agriculture	●	—

Outlined functions





Signalisation of operation

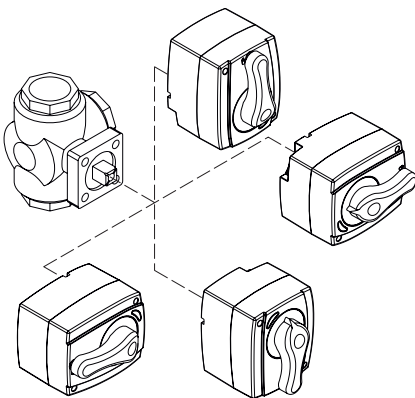
The signalisation of operation with LEDs on the actuator shows the direction in which the mixing valve is moving. The user always has an overview whether the actuator is stationary or moving.



Manual mode clutch

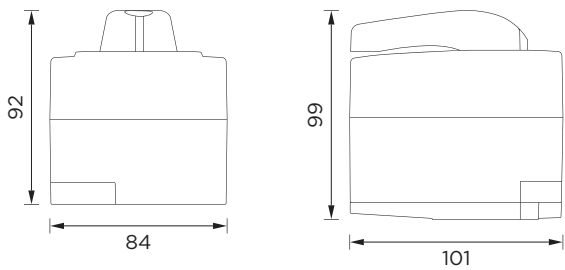
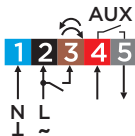
When the button is in the  position, the actuator operates automatically.

When the button is in the  position, the valve position can be set with a button or the manual turning lever.



Four possible installation positions

The AVC actuator can be installed on the ball valve in four positions (up, down, left, right).

Technical specifications	AVC RS	
Connection voltage	230 V- or 24 V-	
Own consumption	< 5 W	
Standby consumption	< 0.25 W	
Auxiliary pump OFF switch	250 V-, 3 A	
Degree of protection	IP 42	
Safety class	II for the voltage of 230 V- III for the voltage of 24 V-	
Housing material	PC - dark grey	
Standard cable length	2 m	
Operating temperature	0÷50 °C	
Storage temperature	-20÷75 °C	
Product weight	390÷860 g	
No. of pieces in the packaging unit	12 pcs	
Dimensions		
Electrical connection		
Technical specifications	Ball valve 2 W	Ball valve 3 W
Operation mode	2 W	3 W
Operating temperature	-20÷110 °C	
Running angle	90 °	
Dimensions	1/2", 3/4", 1", 5/4"	1/2", 3/4", 1"

Item	Order code	Description
------	------------	-------------



Two-point actuator AVC05RS - with an end-limit switch + switchover ball valve - set

1AVC05B3022315-0	Actuator SELTRON AVC05RS, 30 s, 230 V~ + 3 W ball valve 1/2"
1AVC10B1M22320-0	Actuator SELTRON AVC10RS, 1 min, 230 V~ + 3 W ball valve 3/4"
1AVC15B1M22325-0	Actuator SELTRON AVC15RS, 1 min, 230 V~ + 3 W ball valve 1"



Two-point actuator AVC05RS - with an end-limit switch + ball valve - set

1AVC05B3022215-0	Actuator SELTRON AVC05RS, 30 s, 230 V~ + 2 W ball valve 1/2"
1AVC05B3022220-0	Actuator SELTRON AVC05RS, 30 s, 230 V~ + 2 W ball valve 3/4"
1AVC10B1M22225-0	Actuator SELTRON AVC10RS, 1 min, 230 V~ + 2 W ball valve 1"
1AVC15B1M22232-0	Actuator SELTRON AVC15RS, 1 min, 230 V~ + 2 W ball valve 5/4"

Seltron d.o.o.
Tržaška cesta 85 A
SI-2000 Maribor
Slovenia

T: +386 (0)2 671 96 00
F: +386 (0)2 671 96 66
sales@seltron.eu
www.seltron.eu