

Actuators with mixing valves AVC + 3 W or 4 W

Presentation



Typical application

- In various heating and cooling systems.
- Switchover from a solid fuel boiler to an oil boiler.
- Switchover from a solid fuel boiler to a gas boiler.
- Switchover of the storage tank to an oil boiler.
- Switchover of the storage tank to a gas boiler.
- Switchover between a solid fuel boiler and a solar system (domestic hot water heating).
- Switchover of the heat pump and the solar system (domestic hot water heating).
- Switchover between heating and domestic hot water heating.
- Switchover of the collectors east/west.
- Switchover of the domestic hot water storage tank to the storage tank (solar system).
- Switchover of the domestic hot water storage tank to the pool (solar system).
- Switchover between two heat exchangers.

Features

- Minimum resistance or flow reduction.
- Suitable for use in residential and commercial systems.
- Suitable for use in heating systems as well as in domestic hot water systems.
- An extremely easy and quick installation.
- Turning direction indicator.
- Valve position indication.
- Integrated permanent clutch for the manual mode.
- In the case of a blocked valve, the actuator is not damaged.

Description of settings buttons



- 1 - Manual operation clutch.
- 2 - LED display - rotating the valve to left.
- 3 - LED display - AUX switch is ON.
- 4 - LED display - rotating the valve to right.
- 5 - Button.

Typical application	AVC + mixing valve 3 W	AVC + mixing valve 4 W
In various heating or cooling systems	●	●
Switchover from a solid fuel boiler to an oil boiler	●	—
Switchover from a solid fuel boiler to a gas boiler	●	—
Switchover of the storage tank to an oil boiler	●	—
Switchover of the storage tank to a gas boiler	●	—
Switchover between a solid fuel boiler and a solar system (domestic hot water heating)	●	—
Switchover of the heat pump and the solar system (domestic hot water heating)	●	—
Switchover between heating and domestic hot water heating	●	—
Switchover of the collectors east/west	●	—
Switchover of the domestic hot water storage tank to the storage tank (solar system)	●	—
Switchover of the domestic hot water storage tank to the pool (solar system)	●	—
Switchover between two heat exchangers	●	—

Outlined functions




Signalisation of operation

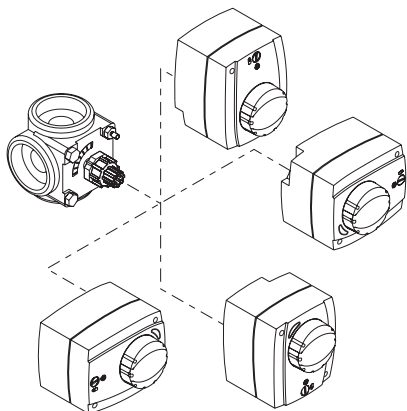
The signalisation of operation with LEDs on the actuator shows the direction in which the mixing valve is moving. The user always has an overview whether the actuator is stationary or moving.



Manual mode clutch

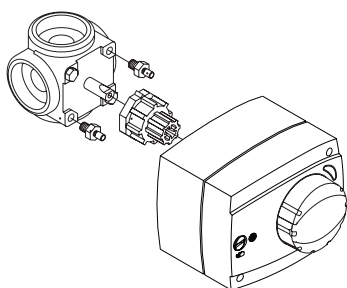
When the button is in the  position, the actuator operates automatically.

When the button is in the  position, the valve position can be set with a button or the manual turning lever.



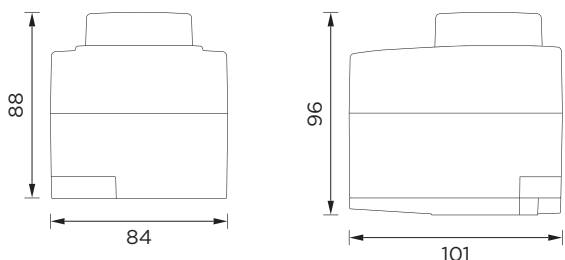

Four possible installation positions

The AVC actuator can be installed on the mixing valve in four positions (upper, lower, left, right).




Direct installation onto more than 20 different valves

The actuators are available with suitable accessories, which enable direct installation onto more than 20 mixing valves of different manufacturers.

Technical specifications	AVC RS
Connection voltage	230 V- or 24 V-
Own consumption	< 5 W
Auxiliary pump OFF switch	250 V-, 3 A
Degree of protection	IP 42
Safety class	II for the voltage of 230 V- III for the voltage of 24 V-
Housing material	PC - dark grey
Standard cable length	2 m
Operating temperature	0÷50 °C
Storage temperature	-20÷75 °C
Product weight	390÷860 g
No. of pieces in the packaging unit	12 pcs
Dimensions	
Electrical connection	

Technical specifications	Mixing valve 3 W	Mixing valve 4 W
Operation mode	3 W	4 W
Maximum operating pressure		10 bar
Maximum operating temperature		110 °C
Running angle		90 °
Body		Brass
Stem		Brass
Cover		Brass
Stem seat		Brass

Item	Order code	Description
	Three-point actuator AVC05 + mixing valve - set	
	7AVC053V3342-030	Actuator SELTRON AVC05 (5 Nm, 2 min, 230 V-) + MV 3W 3/4" KV 6.3
	7AVC053V3013-030	Actuator SELTRON AVC05 (5 Nm, 2 min, 230 V-) + MV 3W 1" KV 8
	7AVC053V3544-030	Actuator SELTRON AVC05 (5 Nm, 2 min, 230 V-) + MV 3W 5/4" KV 12
	7AVC053V4342-030	Actuator SELTRON AVC05 (5 Nm, 2 min, 230 V-) + MV 4W 3/4" KV 6.3
	7AVC053V4013-030	Actuator SELTRON AVC05 (5 Nm, 2 min, 230 V-) + MV 4W 1" KV 8
7AVC053V4544-030	Actuator SELTRON AVC05 (5 Nm, 2 min, 230 V-) + MV 4W 5/4" KV 12	

Seltron d.o.o.
Tržaška cesta 85 A
SI-2000 Maribor
Slovenia

T: +386 (0)2 671 96 00
F: +386 (0)2 671 96 66
sales@seltron.eu
www.seltron.eu