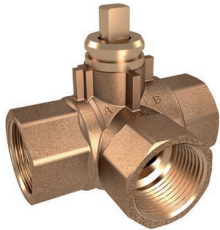


3-way zone ball valves, internal thread, quick connection for actuator BVQ-3100

Presentation



Typical application

- For domestic and commercial heating and cooling hydronic closed systems.
- For diverting and change over applications.

Features

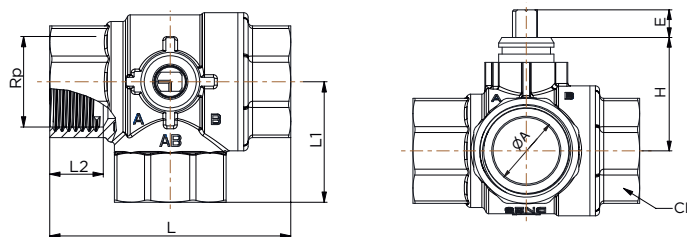
- Quick assembly of the actuator.
- DN15 ÷ DN32.
- Blow-out proof stem.
- Low operating torque.
- Mistake-proofing assembly of the actuator.

Technical specifications

Connection for actuator	Quick system
Pipe connections	Rp internal thread ISO 7-1
Nominal pressure	PN25
Max. diff. pressure	6 bar (max 2 bar for low noise operation)
Fluid temperature	-15 °C to +110 °C ; +130 °C short time peaks (fluid temp. can be limited depending on the actuator type)
Fluid	Water, water with glycol up to 50 % vol. The water quality requirements specified in VDI 2035 must be adhered to.
Max. leakage	Rate B according to: EN 12266-1:2003
Angle of rotation	90 °
Servicing	Maintenance-free. The installation of a strainer is recommended.
Installation position	Upright to horizontal (related to stem)
Materials	Body-CW617N brass; Sealing-PTFE, EPDM

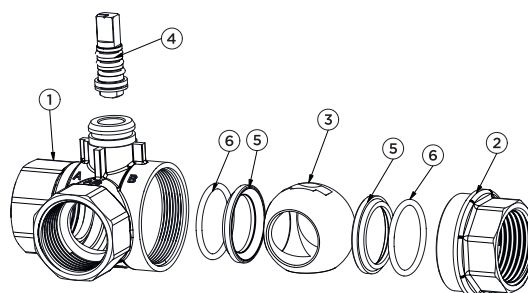
Dimensions

Type	DN	Connection	L(mm)	L1(mm)	L2(mm)	H(mm)	ØA(mm)	E(mm)	CH(mm)	Kvsm ³ /h	Weight (g)
BVQ3115L	DN15	Rp 1/2 "	72	36	13	31	15	10	25	4,3	
BVQ3120L	DN20	Rp 3/4 "	72	36	14	34	20	10	31	8,3	
BVQ3125L	DN25	Rp 1 "	82	41	16	38,5	25	10	38	13	
BVQ3132L	DN32	Rp 1 ¼ "	94	47	17	43,5	32	10	48	21	

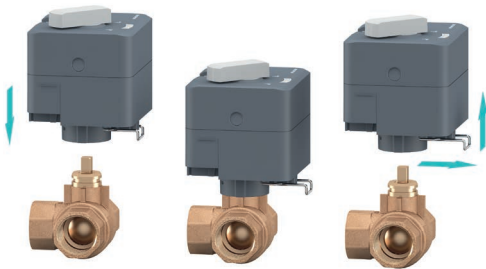


Structure of the 3-way ball valves

- 1 - Body
- 2 - Nut
- 3 - Ball
- 4 - Spindle with o-rings
- 5 - Seat
- 6 - O-ring



Featured functions



Quick assembly of the actuator

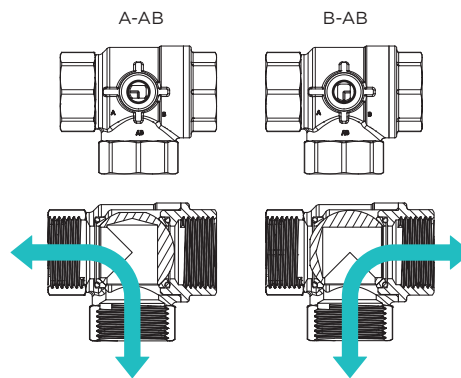
The actuator is assembled on the valve by hand, without tool use, by moving the actuator vertically downwards (snap).

Mistake-proofing assembly of the actuator

Only one position of assembling the actuator to the valve is possible. Slots must match the ribs on the valve neck.

To remove the actuator from the valve, the metal pin must be pulled out to the unlocking position.

Flow directions



Type code

BV Q 3 1 15 L

- **BV**: ball valve
- **Q**: quick connection for the actuator
- **3**: 3-way (2=2-way)
- **1**: internal thread (2=external thread, 3=compression fittings)
- **15**: DN15 (20=DN20, 25=DN25, 32=DN32)
- **L**: Ball shape (L-type)

AQD actuators are designed for operating 3-way BVQ3100 zone ball valves.

Actuators controlled by 2-point signal are recommended for diverting applications.

Valves can also be used in combination with other actuators from the AQD family, controlled by 3-point or modulating control signal.

Item	Order code	Description	
Valves			
	1BVQ3115L00	Valve BVQ3115L, DN15, Rp 1/2 ", Ball type L	
	1BVQ3120L00	Valve BVQ3120L, DN20, Rp 3/4 ", Ball type L	
	1BVQ3125L00	Valve BVQ3125L, DN25, Rp 1 ", Ball type L	
	1BVQ3132L00	Valve BVQ3132L, DN32, Rp 1 1/4 ", Ball type L	
Suitable Seltron actuators			
	Recommended	1AQD05230223	Actuator AQDR, 2P, 5 Nm, 30 s, 230 VAC
		1AQD05B30223	Actuator AQDRS, 2P+S, 5 Nm, 30 s, 230 VAC
		1AQD05230423	Actuator AQDR, 2P, 5 Nm, 30 s, 24 VAC
		1AQD05B30423	Actuator AQDRS, 2P+S, 5 Nm, 30 s, 24 VAC
An alternative	1AQD101M2223	Actuator AQDR, 2P, 10 Nm, 60 s, 230 VAC	
	1AQD101MB223	Actuator AQDRS, 2P+S, 10 Nm, 60 s, 230 VAC	