

# Actuators with 2-way BVQ2100 zone valves, with quick connection AQD

## Presentation



AQD actuators are designed for operating 2-way BVQ2100 zone ball valves. Actuators can be used for various zone applications, in domestic and commercial heating and cooling hydronic closed systems. Innovative design provides a quick installation and removal without tools. Actuators are recommended for on-off applications.

### Typical application

- For controlling zone valves in heating or cooling systems.
- On-off zone control of heating systems.
- Various other heating devices.

### Features

- Designed as unit, actuator with valve.
- Easy assembly and disassembly on the valves.
- Compact size.
- Designed as a product family with a wide range of products.
- Modular design, actuators can be customized to different customer needs.

## Actuators types overview

Torque	AQDR	AQDRS	AQDY
5 Nm	•	•	•
10 Nm	•	•	•
15 Nm	•	•	•
<b>Operation mode</b>			
Two-point	•	•	—
Proportional 0(2)÷10 V or 0(4)÷20 mA	—	—	•
<b>Possible running speeds</b>			
15 s/90 °	*(5 Nm)	*(5 Nm)	*(5 Nm)
30 s/90 °	*(5 Nm)	*(5 Nm)	*(5 Nm)
60 s/90 °	•	•	•
<b>Power supply</b>			
230 V~, 50 Hz	•	•	—
24 V~, 50 Hz	•	•	—
24 V=	—	—	•
<b>Pump ON switch</b>			
Adjustable auxiliary switch for activating the circulation pump	—	•	—

## Versions

### Modular design

Actuators can be customized to different customer needs: Standard version (with all the features) and Basic version, especially suitable for installation in heat pumps and other OEM devices.

Actuators are available with following features:

- With or without manual control.
- With or without Led indication.
- With cable connection or connector.



### Outlined functions



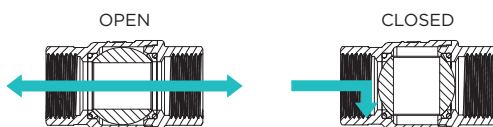
#### Quick installation

Innovative design and the installation system provide a quick installation and removal of the AQD actuator to/from the zone ball valve, without tools.

Two positions of assembling the actuator to the valve is possible (2x180°). Slots must match the ribs on the valve neck. To remove the actuator from the valve, the metal pin must be pulled out to the unlocking position.



#### Flow directions




#### Signalization of operation

The signalization of operation:

- With LEDs on the actuator (Standard version).
- With mechanical indication on the actuator (Basic version).

#### Manual mode clutch

Manual mode clutch of the AQD actuator can be activated by pressing the  key (Standard version).



#### Plug-in connector

Actuator AQD has integrated connector for quick connection of control cable.

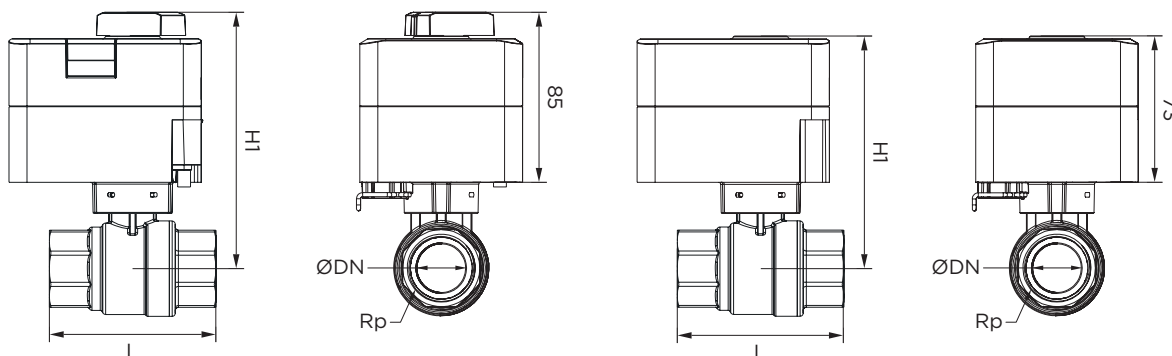
#### AUX switch

Actuators AQD have option of additional AUX switch for control of user up to 5 A, 230 V-.

#### Selection of rotary direction

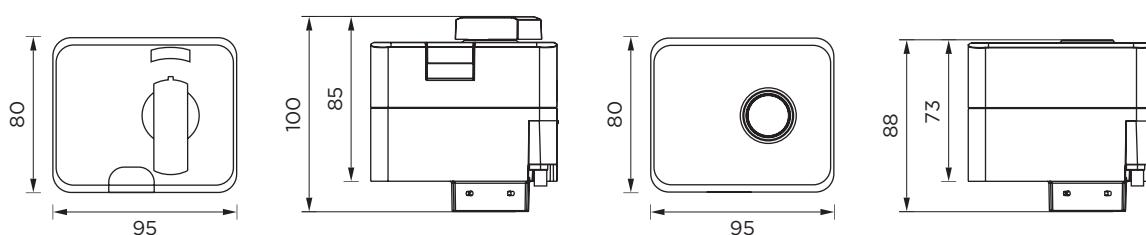
The cable cover should be removed to access the settings (2-point standard version).

#### Actuators with the BVQ2100 valves




Type	DN	Connection	L (mm)	H1 (mm)	H1 (mm) Basic
BVQ 2115	DN15	Rp 1/2 "	62	119	107,5
BVQ 2120	DN20	Rp 3/4 "	68	122	110,5
BVQ 2125	DN25	Rp 1 "	82	126,5	115
BVQ 2132	DN32	Rp 1 ¼ "	86	131,5	120
BVQ 2140	DN40	Rp 1 ½ "	100	141	129,5
BVQ 2150	DN50	Rp 2 "	120	152	140,5

Technical specifications	AQDR	AQDRS	AQDY
Connection voltage	230 V- or 24 V-		24 V- or 24 V=
Own consumption	2,5÷5 W		
Auxiliary pump OFF switch	—	250 V-, 3 A	—
Degree of protection	IP 42		
Safety class	II for the voltage of 230 V-, III for the voltage of 24 V-/V=		
Applied standards	EN 60730-1, EN 60730-2-14		
Housing material	PC - dark grey		
Standard cable length	2 m		
Ambient temperature	0÷50 °C		
Storage temperature	-20÷75 °C		
Humidity	Max. 90 % RH, non-condensing		
Servicing	Maintenance-free		
Product weight	390÷860 g		

**Dimensions**

**Electrical connection**


AQD actuators are designed for operating 2-way BVQ2100 zone ball valves.  
 Actuators controlled by 2-point signal are recommended for on-off applications.  
 Valves can also be used in combination with other actuators from the AQD family, controlled by 3-point or modulating control signal.

Item	Order code	Description
<b>AQD Standard - with led indication and manual control</b>		
	Recommended for 2-way BVQ2100 zone ball valves DN15 - DN32	1AQD05230222 Actuator AQD, 2P, 5 Nm, 30 s, 230 VAC
		1AQD05B30222 Actuator AQD, 2P+S, 5 Nm, 30 s, 230 VAC
		1AQD05230422 Actuator AQD, 2P, 5 Nm, 30 s, 24 VAC
		1AQD05B30422 Actuator AQD, 2P+S, 5 Nm, 30 s, 24 VAC
	Recommended for 2-way BVQ2100 zone ball valves DN40 - DN50 and an alternative for DN32	AQD1021M222 Actuator AQD, 2P, 10 Nm, 60 s, 230 VAC
		AQD10B1M222 Actuator AQD, 2P+S, 10 Nm, 60 s, 230 VAC
		AQD1021M422 Actuator AQD, 2P, 10 Nm, 60 s, 24 VAC
		AQD10B1M422 Actuator AQD, 2P+S, 10 Nm, 60 s, 24 VAC

Seltron d.o.o.  
Tržaška cesta 85 A  
SI-2000 Maribor  
Slovenia

T: +386 (0)2 671 96 00  
F: +386 (0)2 671 96 66  
sales@seltron.eu  
www.seltron.eu

March 2023. We reserve the right to make changes due to printing errors or technical modifications. Images are symbolic.