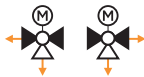


# Actuators with 3-way BVQ3100 zone valves, with quick connection AQD

## Presentation



AQD actuators are designed for operating 3-way BVQ3100 zone ball valves. Actuators can be used for various zone applications, in domestic and commercial heating and cooling hydronic closed systems. Innovative design provides a quick installation and removal without tools. Actuators are recommended for switching applications.

### Typical application

- For controlling zone valves in heating or cooling systems.
- Switchover between heating and cooling.
- Switchover between heating and domestic hot water heating.
- Switchover between various heat sources.
- Various other heating devices.

### Features

- Designed as unit, actuator with valve.
- Easy assembly and disassembly on the valves.
- Compact size.
- Designed as a product family with a wide range of products.
- Modular design, actuators can be customized to different customer needs.
- Mistake-proofing assembly on the valves.

## Actuators types overview

Torque	AQD	AQDR	AQDRS	AQDY
5 Nm	•	•	•	•
10 Nm	•	•	•	•
15 Nm	•	•	•	•
<b>Operation mode</b>				
Two-point	—	•	•	—
Three-point	•	—	—	—
Proportional 0(2)÷10 V or 0(4)÷20 mA	—	—	—	•
<b>Possible running speeds</b>				
15 s/90 °	*(5 Nm)	*(5 Nm)	*(5 Nm)	*(5 Nm)
30 s/90 °	*(5 Nm)	*(5 Nm)	*(5 Nm)	*(5 Nm)
60 s/90 °	•	•	•	•
<b>Power supply</b>				
230 V~, 50 Hz	•	•	•	—
24 V~, 50 Hz	•	•	•	—
24 V=	—	—	—	•
<b>Pump ON switch</b>				
Adjustable auxiliary switch for activating the circulation pump	—	—	•	—

## Versions

### Modular design

Actuators can be customized to different customer needs: Standard version (with all the features) and Basic version, especially suitable for installation in heat pumps and other OEM devices.

Actuators are available with following features:

- With or without manual control.
- With or without Led indication.
- With cable connection or connector.



### Outlined functions



#### Quick installation

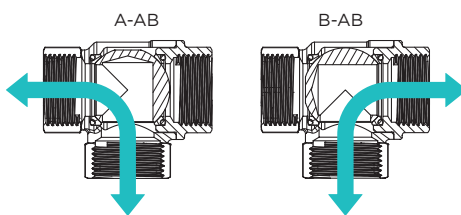
Innovative design and the installation system provide a quick installation and removal of the AQD actuator to/from the zone ball valve, without tools.

#### Mistake-proofing assembly of the actuator

Only one position of assembling the actuator to the valve is possible. Slots must match the ribs on the valve neck. To remove the actuator from the valve, the metal pin must be pulled out to the unlocking position.



#### Flow directions




#### Signalization of operation

The signalization of operation:

- With LEDs on the actuator (Standard version).
- With mechanical indication on the actuator (Basic version).

#### Manual mode clutch

Manual mode clutch of the AQD actuator can be activated by pressing the  key (Standard version).



#### Plug-in connector

Actuator AQD has integrated connector for quick connection of control cable.

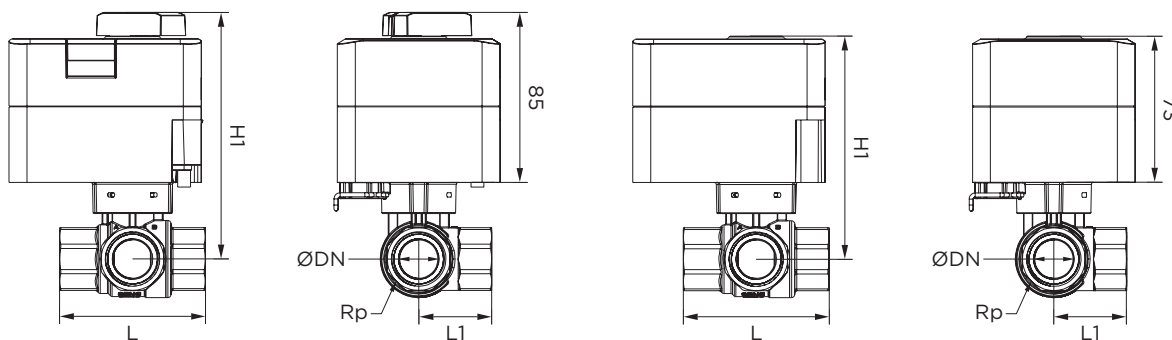
#### AUX switch

Actuators AQD have option of additional AUX switch for control of user up to 5 A, 230 V-.

#### Selection of rotary direction

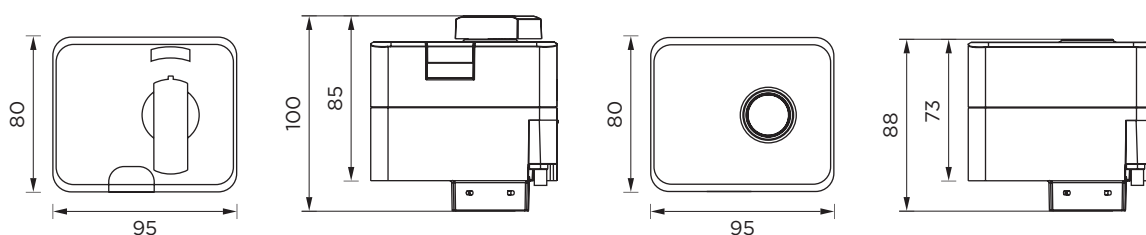
The cable cover should be removed to access the settings (2-point standard version).

#### Actuators with the BVQ3100 valves



Type	DN	Connection	L (mm)	L1 (mm)	H1 (mm)	H1 (mm) Basic
BVQ3115L	DN15	Rp 1/2 "	72	36	119	107,5
BVQ3120L	DN20	Rp 3/4 "	72	36	122	110,5
BVQ3125L	DN25	Rp 1 "	82	41	126,5	115
BVQ3132L	DN32	Rp 1 1/4 "	94	47	131,5	120

Technical specifications	AQD	AQDR	AQDRS	AQDY
Connection voltage	230 V- or 24 V-			24 V- or 24 V=
Own consumption	2,5÷5 W			
Auxiliary pump OFF switch	—	—	250 V-, 3 A	—
Degree of protection	IP 42			
Safety class	II for the voltage of 230 V-, III for the voltage of 24 V-/V=			
Applied standards	EN 60730-1, EN 60730-2-14			
Housing material	PC - dark grey			
Standard cable length	2 m			
Ambient temperature	0÷50 °C			
Storage temperature	-20÷75 °C			
Humidity	Max. 90 % RH, non-condensing			
Servicing	Maintenance-free			
Product weight	390÷860 g			

**Dimensions**


Electrical connection	AQD	AQDR	AQDRS	AQDY

AQD actuators are designed for operating 3-way BVQ3100 zone ball valves.

Actuators controlled by 2-point signal are recommended for diverting applications.

Valves can also be used in combination with other actuators from the AQD family, controlled by 3-point or modulating control signal.

Item	Order code	Description
<b>AQD Basic - without led indication and manual control</b>		
	1AQD05215263	Actuator AQD Basic, 2P, 5 Nm, 15 s, 230 VAC, connector
	1AQD05230263	Actuator AQD Basic, 2P, 5 Nm, 30 s, 230 VAC, connector
	1AQD05215253	Actuator AQD Basic, 2P, 5 Nm, 15 s, 230 VAC, cable
	1AQD05230253	Actuator AQD Basic, 2P, 5 Nm, 30 s, 230 VAC, cable
<b>AQD Standard - with led indication, manual control and cable</b>		
	1AQD05215223	Actuator AQD Standard, 2P, 5 Nm, 15 s, 230 VAC
	1AQD05230223	Actuator AQD Standard, 2P, 5 Nm, 30 s, 230 VAC
	1AQD05B30223	Actuator AQD Standard, 2P+S, 5 Nm, 30 s, 230 VAC
	1AQD05230423	Actuator AQD Standard, 2P, 5 Nm, 30 s, 24 VAC
	1AQD05B30423	Actuator AQD Standard, 2P+S, 5 Nm, 30 s, 24 VAC
	An alternative for 3-way BVQ3100 zone ball valves DN32	1AQD1021M223
	1AQD10B1M223	Actuator AQD Standard, 2P+S, 10 Nm, 60 s, 230 VAC

Seltron d.o.o.  
Tržaška cesta 85 A  
SI-2000 Maribor  
Slovenia

T: +386 (0)2 671 96 00  
F: +386 (0)2 671 96 66  
sales@seltron.eu  
www.seltron.eu

March 2023. We reserve the right to make changes due to printing errors or technical modifications. Images are symbolic.