

AQD05R s 3P ventilom

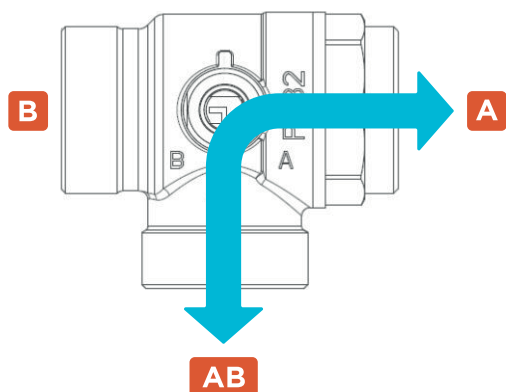
SELTRON

Clear indication of flow direction and valve position during installation

1 Default position

Direction AB-A

Flow is directed from the common port AB toward port A.

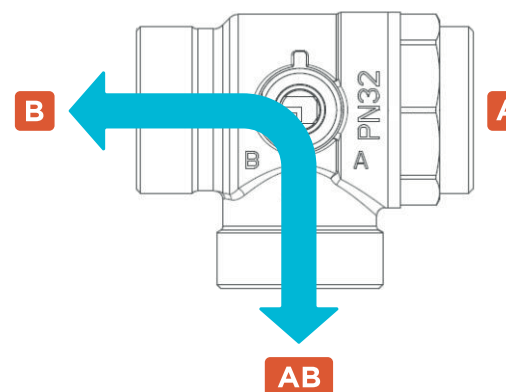


 Before installation, check the A / B / AB markings on the valve body.

2 Switching position

Direction AB-B

When switched, the flow is directed from the common port AB toward port B.



 Before installation, check the A / B / AB markings on the valve body.